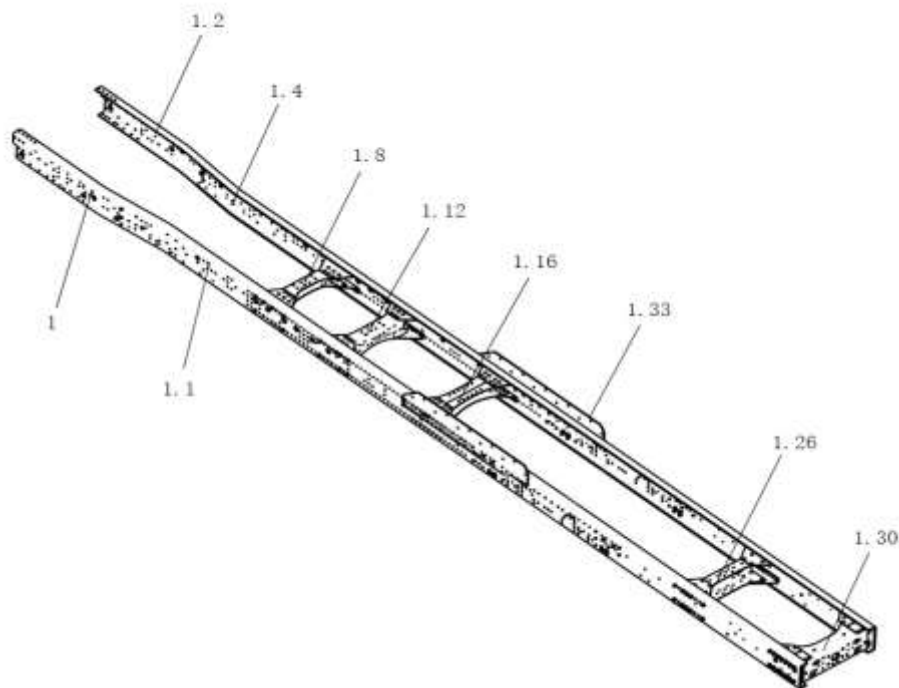


9 车架和其它/Chassis Frame Ass and Others

| 序号/ No. | 名 称 / Designation | | 页 码 / Page No. |
|---------|-------------------------------|-------|----------------|
| 9,01 | 车架总成/Chassis Frame Ass. | ----- | 1 |
| 9,02 | 车轮与轮胎/Wheel And Tire | ----- | 2 |
| 9,03 | 前轮罩及车轮螺栓防护帽/Front Wheel Cover | ----- | 3 |
| 9,04 | 后置备胎架/Prepare Wheel Frame | ----- | 6 |
| 9,05 | 非半挂牵引车的牵引钩/Towing Hook | ----- | 7 |
| 9,06 | 尾灯支架/Taillight Bracket | ----- | 8 |

9.01 车架总成/Chassis Frame Assembly

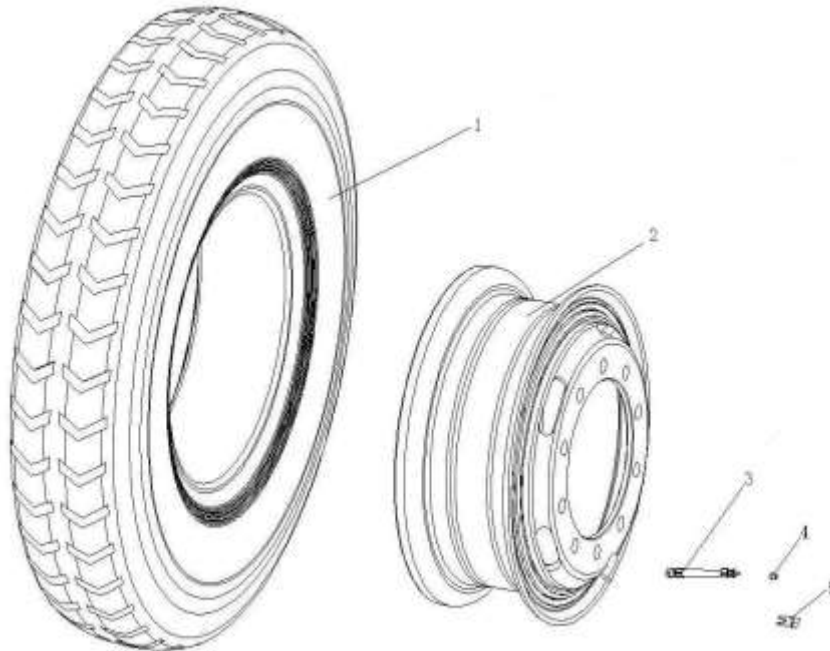


9.01 车架总成/Chassis Frame Assembly

| 序号 No. | 零部件图号 Part No. | 名称 | Part Name | 数量 Qty | 备注 Remark |
|-----------|-------------------|-----------------|----------------------|-----------|--------------|
| 1 | AZ9729514600 | 车架总成 1 | Frame assembly 1 | 1 | |
| 1.1 | WG9729514601 | 车架左纵梁 2 | beam 2 | 1 | |
| 1.2 | WG9729514602 | 车架右纵梁 5 | 5 | 1 | |
| 1.3 | WG9729514603 | 车架左加强梁 8 | beam 8 | 1 | |
| 1.4 | WG9729514604 | 车架右加强梁 9 | beam 9 | 1 | |
| 1.5 | Q150B1635 | 六角头螺栓 12 | Hex head bolt 12 | 4 | |
| 1.6 | Q33216 | 自锁螺母 13 | Self-locking nut 13 | 4 | |
| 1.7 | Q4501438 | 半圆头铆钉 14 | Round head rivets 14 | 2 | |
| 1.8 | WG9729510000 | 横梁总成(8+8/第一横梁) | beam) 15 | 1 | |
| 1.9 | ZQ1811445TF2 | 六角法兰面带齿螺栓M14 | teeth M14*1.5 32 | 12 | |
| 1.10 | ZQ32514T13F2 | 六角法兰面带齿螺母M14 | nut M14*1.5 33 | 12 | |
| 1.11 | Q4501444 | 半圆头铆钉 34 | Round head rivets 34 | 16 | |
| 1.12 | WG9729510050 | 横梁总成(8+8/普通横梁) | (8+8/common beam) 35 | 1 | |
| 1.13 | ZQ1811445TF2 | 六角法兰面带齿螺栓M14 | teeth M14*1.5 49 | 12 | |
| 1.14 | ZQ32514T13F2 | 六角法兰面带齿螺母M14 | nut M14*1.5 50 | 12 | |
| 1.15 | Q4501446 | 半圆头铆钉 51 | Round head rivets 51 | 19 | |
| 1.16 | WG9729510010 | 横梁总成(8+8/背靠背) | to-back beam) 52 | | |
| 1.17 | ZQ1811445TF2 | 六角法兰面带齿螺栓 | teeth M14*1.5 64 | | |
| 1.18 | ZQ1811450TF2 | 六角法兰面带齿螺栓 | teeth M14*1.5 65 | | |
| 1.19 | ZQ32514T13F2 | 六角法兰面带齿螺母 | nut M14*1.5 66 | | |
| 1.20 | Q4501446 | 半圆头铆钉 67 | Round head rivets 67 | | |
| 1.21 | Q4501447 | 半圆头铆钉 (ML10) 68 | 68 | | |
| 1.22 | WG992551321 | 横梁总成(铸造横梁/8) | beam/8+8) 69 | | |

| | | | | | |
|------|----------------|--------------------|---------------------------|----|--|
| 1.23 | Q4501244 | 半圆头铆钉 96 | Round head rivets 96 | | |
| 1.24 | ZQ151B1445TF | 六角头螺栓M14*1.5 97 | M14*1.5 97 | | |
| 1.25 | ZQ361B14T13F | 2型六角螺母M14*1.5 | M14*1.5 | | |
| 1.26 | WG972951006 | 横梁总成(8+8/铸造横梁后) | casting beam) 99 | 1 | |
| 1.27 | ZQ1811445TF2 | 六角法兰面带齿螺栓M14 | teeth M14*1.5 113 | 16 | |
| 1.28 | ZQ32514T13F2 | 六角法兰面带齿螺母M14 | nut M14*1.5 114 | 16 | |
| 1.29 | Q4501444 | 半圆头铆钉 115 | Round head rivets 115 | 16 | |
| 1.30 | WG9729510040 | 后横梁总成(8+8/300车架) | (8+8/300 frame tail beam) | 1 | |
| 1.31 | ZQ1811445TF2 | 六角法兰面带齿螺栓M14 | teeth M14*1.5 132 | 28 | |
| 1.32 | ZQ32514T13F2 | 六角法兰面带齿螺母M14 | nut M14*1.5 133 | 28 | |
| 1.33 | 712W41138-0005 | 前支撑板 134 | Front support plate 134 | 2 | |
| 1.34 | Q4501446 | 半圆头铆钉 140 | Round head rivets 140 | 20 | |
| 1.35 | Q4501252 | 半圆头铆钉 141 | Round head rivets 141 | 8 | |
| 1.36 | ZQ1811445TF2 | 六角法兰面带齿螺栓M14 | teeth M14*1.5 142 | 4 | |
| 1.37 | ZQ32514T13F2 | 六角法兰面带齿螺母M14 | nut M14*1.5 143 | 4 | |
| 1.38 | ZQ151B1250TF2 | 六角头螺栓M12*1.25 144 | M12*1.25 144 | 4 | |
| 1.39 | ZQ361B12T13F2 | 2型六角螺母M12*1.25 145 | M12*1.25 145 | 4 | |
| 1.40 | WG9925513806 | 后支撑板 146 | Rear support plate 146 | 2 | |
| 1.41 | ZQ151B1250TF2 | 六角头螺栓M12*1.25 149 | M12*1.25 149 | 4 | |
| 1.42 | ZQ361B12T13F2 | 2型六角螺母M12*1.25 150 | M12*1.25 150 | 8 | |
| 1.43 | ZQ151B1240TF2 | 六角头螺栓M12*1.25 151 | M12*1.25 151 | 4 | |
| 1.44 | Q4501252 | 半圆头铆钉 | Round head rivets | | |

9.02 车轮与轮胎 (8.5-20车轮与12.00R20-18PR纵向花纹轮胎)/Tyre & Rim

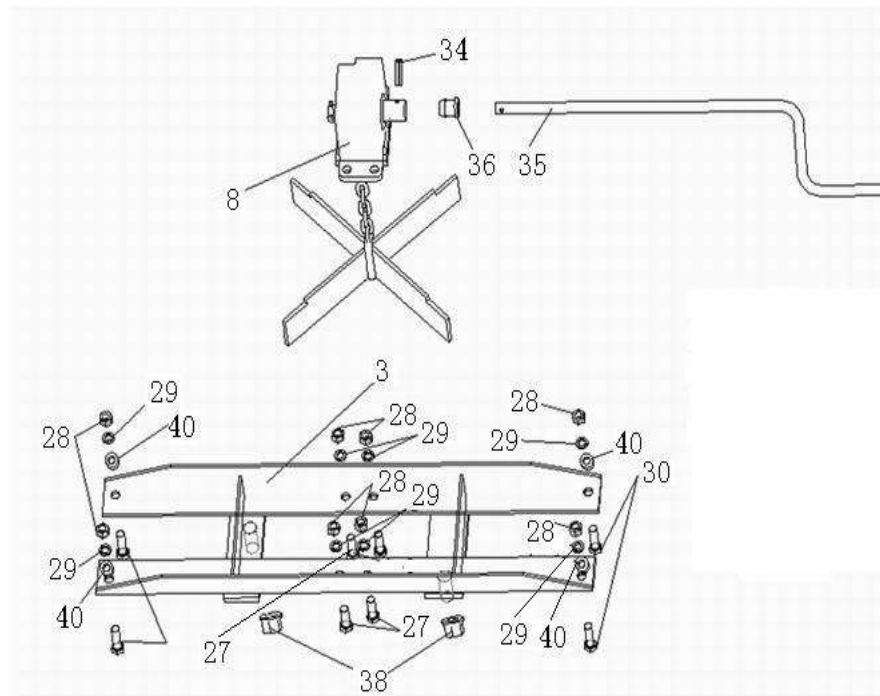


9.02 车轮与轮胎 (8.5-20车轮与12.00R20-18PR纵向花纹轮胎)/Tyre & Rim

| 序号 | 零部件图号 | 名称 | Part Name | 数量 | 备注 |
|-----|----------|----|-----------|-----|--------|
| No. | Part No. | | | Qty | Remark |

| | | | | | |
|----|-------------|---------|----------------------------|---|--|
| 8 | 17017860020 | 备轮架传动装置 | Prepare wheel frame transn | 1 | |
| 9 | 17017860026 | 传动装置壳体 | Housing | 1 | |
| 10 | 17017860025 | 偏心轴 | Eccentric shaft | 1 | |
| 11 | 17017860027 | 盖板总成 | Plate | 1 | |
| 12 | 17017860028 | 盖板 | Cover | 1 | |
| 13 | 17017860029 | 定位板 | Plate | 1 | |
| 14 | 17017860022 | 锁片 | Shim | 1 | |
| 15 | 17017860023 | 主动轮 | Driving wheel | 1 | |
| 16 | 17017860024 | 链轮 | Chain wheel | 1 | |
| 17 | 17017860030 | 备轮托架总成 | Prepare wheel frame ass | 1 | |
| 18 | 17017860031 | 链条 | Chain | 1 | |
| 19 | 17017860032 | 链条吊耳 | Chain lug | 1 | |
| 20 | 17017860033 | 托架焊接总成 | Bracket ass. | 1 | |
| 21 | 17017860034 | 托架（甲） | Bracket | 1 | |

9.04 后置备胎架/Prepare Wheel Frame

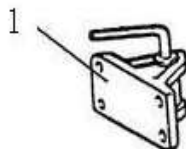


9.04 后置备胎架/Prepare Wheel Frame

| 序号 No. | 零部件图号 Part No. | 名称 | Part Name | 数量 Qty | 备注 Remark |
|-----------|-------------------|---------|---------------|-----------|--------------|
| 22 | 17017860035 | 托架（乙） | Bracket | 1 | |
| 23 | Q5005020 | 开口销 | Pin | 1 | |
| 24 | Q40216 | 大垫圈 | Washer | 1 | |
| 25 | Q5004030 | 开口销 | Pin | 1 | |
| 26 | Q2540608 | 十字槽沉头螺钉 | Screw | 4 | |
| 27 | Q150B1235 | 六角头螺栓 | Bolt | 4 | |
| 28 | Q340B12 | I型六角头螺母 | Nut | 4 | |
| 29 | Q40312 | 弹簧垫圈 | Spring washer | 4 | |
| 30 | Q150B1240 | 六角头螺栓 | Bolt | 4 | |

| | | | | | |
|----|----------------|-------------|----------------|---|--|
| 31 | Q340B12 | I型六角头螺母 | Nut | 4 | |
| 32 | Q40312 | 弹簧垫圈 | Spring washer | 4 | |
| 34 | Q5280632 | 弹性圆柱销 | Pin | 1 | |
| 35 | 162-3105038 | 备轮架摇柄 | Rocking handle | 1 | |
| 36 | WG7600860041 | 备轮架摇臂轴固定套 | Sleeve | 1 | |
| 38 | WG9003884160 | 车轮螺母 | Wheel bolt | 2 | |
| 39 | WG9003884160/2 | 斯达-斯太尔汽车车轮螺 | Nut | 1 | |
| 40 | Q40112 | 平垫圈 | Washer | 4 | |
| | | | | | |
| | | | | | |
| | | | | | |

9.05 非半挂牵引车的牵引钩/Towing Hook

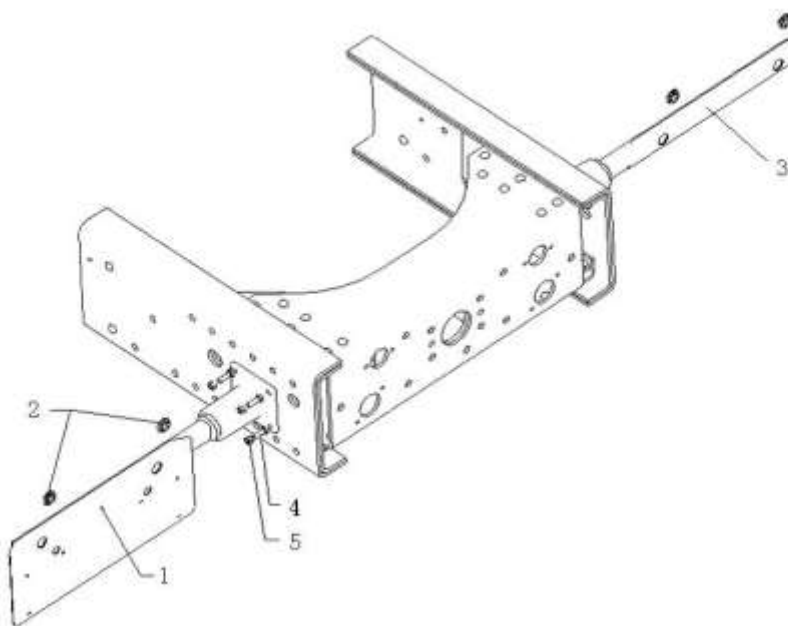


9.05 非半挂牵引车的牵引钩/Towing Hook

| 序号 No. | 零部件图号 Part No. | 名称 | Part Name | 数量 Qty | 备注 Remark |
|-----------|-------------------|-----------|-------------|-----------|--------------|
| 1 | WG9000930047 | "SK7"型牵引钩 | Towing hook | 1 | |
| 2 | Q151B1655 | 六角头螺栓 | Screw | 4 | |
| 3 | 190003888459 | 自锁螺母 | Nut | 4 | |
| | | | | | |
| | | | | | |
| | | | | | |
| | | | | | |
| | | | | | |
| | | | | | |
| | | | | | |
| | | | | | |

| | | | | | |
|--|--|--|--|--|--|
| | | | | | |
| | | | | | |
| | | | | | |
| | | | | | |
| | | | | | |
| | | | | | |
| | | | | | |
| | | | | | |
| | | | | | |
| | | | | | |

9.06 减震尾灯支架总成/Tailight Bracket



9.06 减震尾灯支架总成/Tailight Bracket

| 序号 No. | 零部件图号 Part No. | 名称 | Part Name | 数量 Qty | 备注 Remark |
|-----------|-------------------|-------------|-------------------------|-----------|--------------|
| 1 | AZ9716940001 | 左尾灯支架梁总成 | Taillight bracket-left | 1 | |
| 2 | WG9716940009 | 左橡胶堵 | Rubber plug | 2 | |
| 3 | AZ9716940007 | 右尾灯支架梁总成 | Taillight bracket-right | 1 | |
| 4 | Q150B1040 | 六角头螺栓 | Screw | 4 | |
| 5 | Q33210 | 2型全金属六角锁紧螺母 | Nut | 4 | |
| 6 | Q150B1040 | 六角头螺栓 | Screw | 4 | |
| 7 | AZ9716940004 | 橡胶堵 | Rubber plug | 2 | |
| 8 | Q33210 | 2型全金属六角锁紧螺母 | Nut | 4 | |
| | | | | | |
| | | | | | |
| | | | | | |
| | | | | | |
| | | | | | |
| | | | | | |
| | | | | | |
| | | | | | |
| | | | | | |

| | | | | | |
|--|--|--|--|--|--|
| | | | | | |
| | | | | | |
| | | | | | |
| | | | | | |
| | | | | | |